

ADA Quick Reference Guide

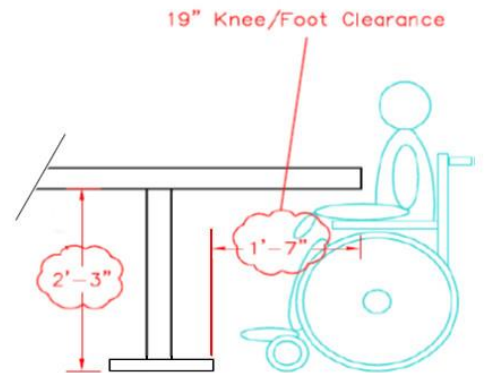
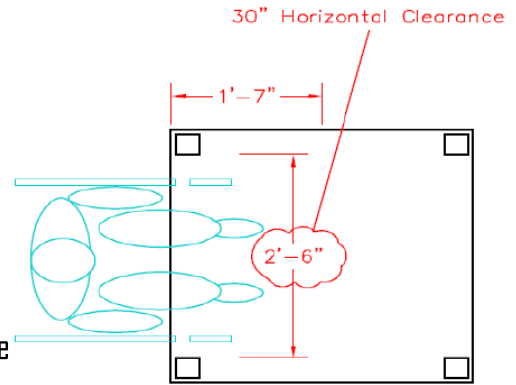
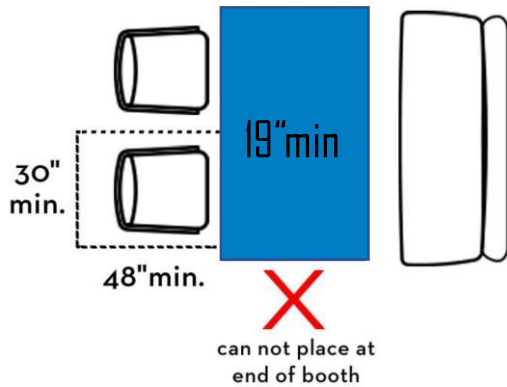
Tables

How many are needed for ADA?

- 20+ tables -5% of total
- < 20 tables -at least 1 table must be wheelchair accessible

Clearance dimensions:

- 28"-34" table height creating at least 27" of knee clearance between the floor and underside of the table
- 19" of clear floor space below the table, including the base
- 30" wide



Bars and Counters

- Bar counter height max 34" where food or drink is served (that is 60" long or longer):
- If bar area has only bar seating, a portion of the bar must be lowered to comply.
- If bar area has mixed seating or in a general dining area, a portion of the bar does not have to be lowered to comply.

